

# THAWING 670 LT R290

Code	Model	Ref.	Page	Brand	Rel	Notes
725143	TC671DHD	a	2,3,4	EPR	00	1-DOOR THAWING CABINET 670L CONFIG. GERMANY 10 GRIDS R290
725144	TC671DHUK	b	2,3,4	EPR	00	1-DOOR THAWING CABINET 670L CONFIG. UK 15 GRIDS R290
725145	TC671DHFR	c	2,3,4	EPR	00	1-DOOR THAWING CABINET 670L CONFIG. FRANCE 10 GRIDS R290
725146	TC671DHAC	d	2,3,4	EPR	00	1-DOOR THAWING CABINET 670L CONFIG. SPAIN 15 GRIDS R290
725147	TC671DHIT	e	2,3,4	EPR	00	1-DOOR THAWING CABINET 670L CONFIG. ITALY 10 GRIDS R290
725148	TC671DHRH	f	2,3,4	EPR	00	1-DOOR THAWING CABINET 670L CONFIG. ITALY 15 GRIDS R290
725149	TC671HDC	g	2,3,4	EPR	00	1-DOOR THAWING CABINET 670L STANDARD 10 GRIDS R290
725150	TC671DHUK	h	2,3,4	EPR	00	1-DOOR THAWING CABINET 670L CONFIG. UK 10 GRIDS R290
<b>725191</b>	<b>TC671DH60</b>	<b>n</b>		<b>EPR</b>	<b>00</b>	<b>1-DOOR THAWING CABINET 670L, 10 POSITIONS - 220/60HZ R290</b>
<b>725192</b>	<b>TC671DH5M</b>	<b>o</b>		<b>EPR</b>	<b>00</b>	<b>1-DOOR THAWING CABINET 670L, 10 POSITIONS - MARINE 50HZ R290</b>
<b>725193</b>	<b>TC671DH6M</b>	<b>p</b>		<b>EPR</b>	<b>00</b>	<b>1-DOOR THAWING CABINET 670L, 10 POSITIONS - MARINE 220/60HZ R290</b>
725198	TC671DNL	g	2,3,4	EPR	00	1-DOOR THAWING CABINET 670L CONFIG. BENELUX 10 GRIDS R290
<b>725206</b>	<b>TC671DZXU2</b>	<b>k</b>	<b>2,3,5</b>	<b>EPR</b>	<b>00</b>	<b>1-DOOR THAWING CABINET 670L, 15 POSITIONS, 120V/60Hz R290 - US</b>
<b>725207</b>	<b>TC671DUCB2</b>	<b>m</b>	<b>2,3,5</b>	<b>EPR</b>	<b>00</b>	<b>1-DOOR THAWING CABINET 670L, 10 POSITIONS, 120V/60Hz R290 - US</b>
881002	K4SW2B				04	4 SWIVELLING WHEELS (2 W/ BRAKE)D=125MM
881016	GRIGLSS21				01	2/1 GN AISI 304 S/S GRID
881203	CTRTHW				00	COLLECTING TRAY A304 FOR THAWING CABINET
881206	DPANTW				00	COLLECTING TRAY A304 FOR THAWING CABINET
881240	K4FTHP				00	KIT 4 FEET H100MM FOR ECOSTORE HP COUNTERS
881286	SUPTH15US		2		00	SHELF SUPPORT FOR THAWING CABINET USA 15 POS (3" PITCH)
881287	SUPTH10US		2		00	SHELF SUPPORT FOR THAWING CABINET USA 10 POS (4.5" PITCH)
881290	SUPTH15EU		2		00	SHELF SUPPORT FOR THAWING CABINET USA 15 POS (3" PITCH)
881291	SUPTW10EU		2		00	SHELF SUPPORT FOR THAWING CABINET USA 10 POS (4.5" PITCH)
P72132	TC671DC	j	2,3,4	EPR	01	1-DOOR THAWING CABINET 670L-OLD WILD WEST
<b>P72165</b>	<b>TC671DUCB2</b>	<b>m</b>	<b>2,3,5</b>	<b>EPR</b>	<b>01</b>	<b>1-DOOR THAWING CABINET 670L, 10 POSITIONS, 120V/60Hz R290 - US</b>
<b>P72166</b>	<b>TC671DZXU2</b>	<b>k</b>	<b>2,3,5</b>	<b>EPR</b>	<b>01</b>	<b>1-DOOR THAWING CABINET 670L, 15 POSITIONS, 120V/60Hz R290 - US</b>

Pag.	Indice	Index
2	Armadio porta intera	Cabinet with full doors
3	Gruppo refrigerante	Cooling unit (refrigerated)
4	Cruscotto	Control panel
5	Cruscotto USA	US Control panel
6-9	Lista ricambi	Spare parts list

Marchio / Brand: **ELECTROLUX PROFESSIONAL-APX-To brand**  
Paese / Country: **all**

Rev.2

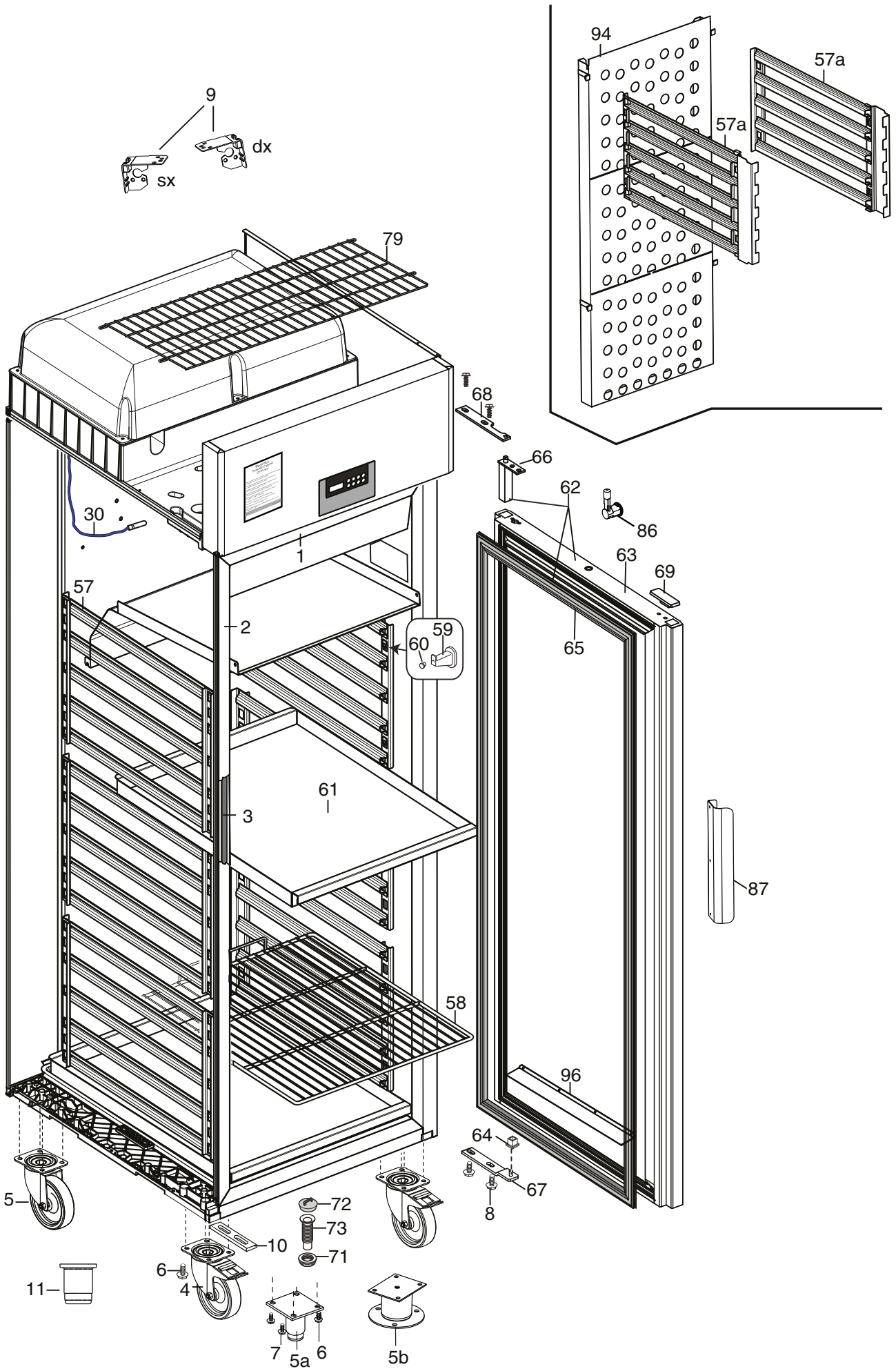
\* Componenti a richiesta \*Components on demand

Grassetto= variato compon. Bolt print = Change

Page:1

Ed. 06/2021  
Updated 11/2022

Doc. Nr.: **595R65700**



\* Componenti a richiesta  
\*Components on demand

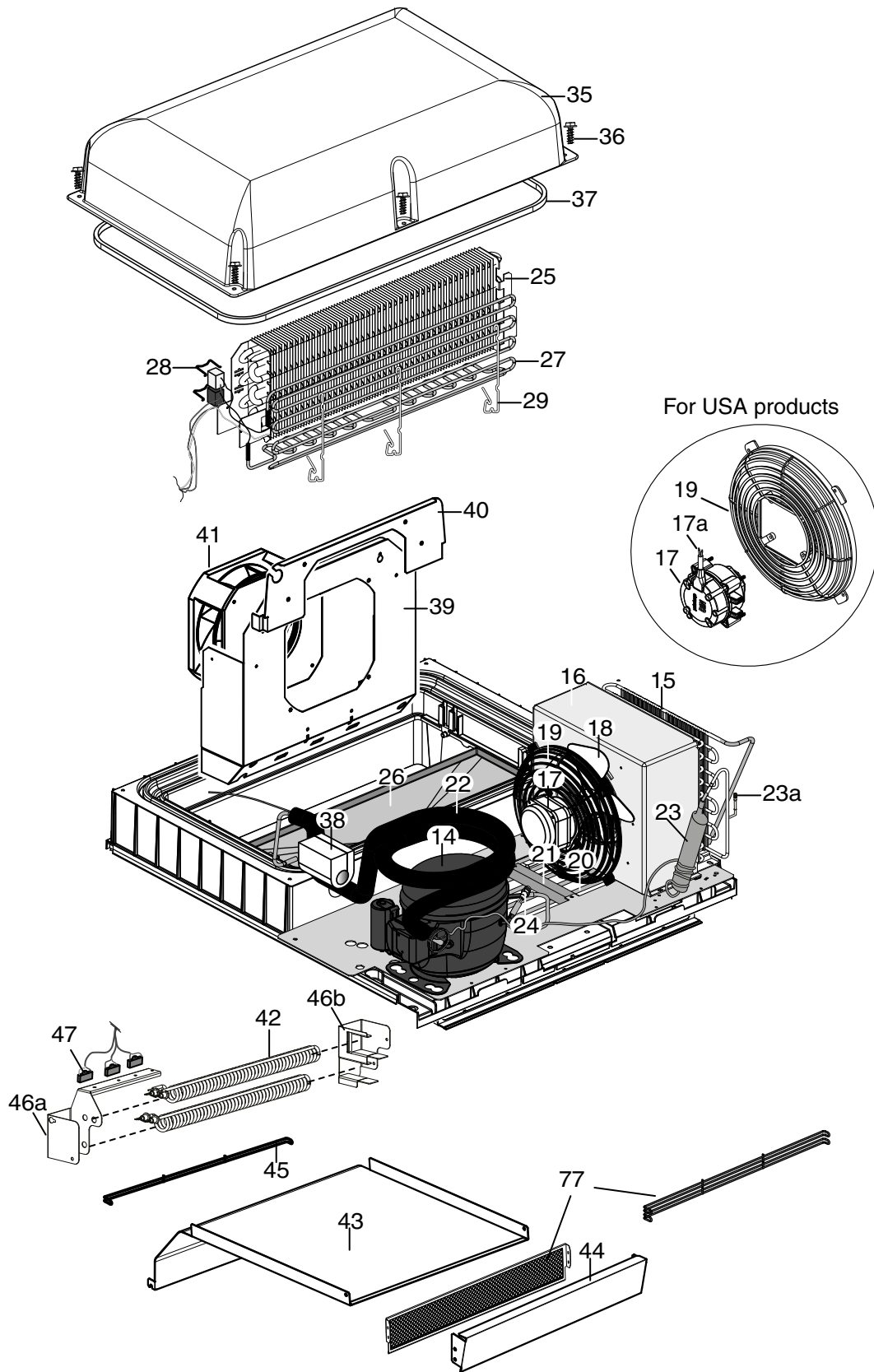
Grassetto= variato comp.  
Bolt print = Change

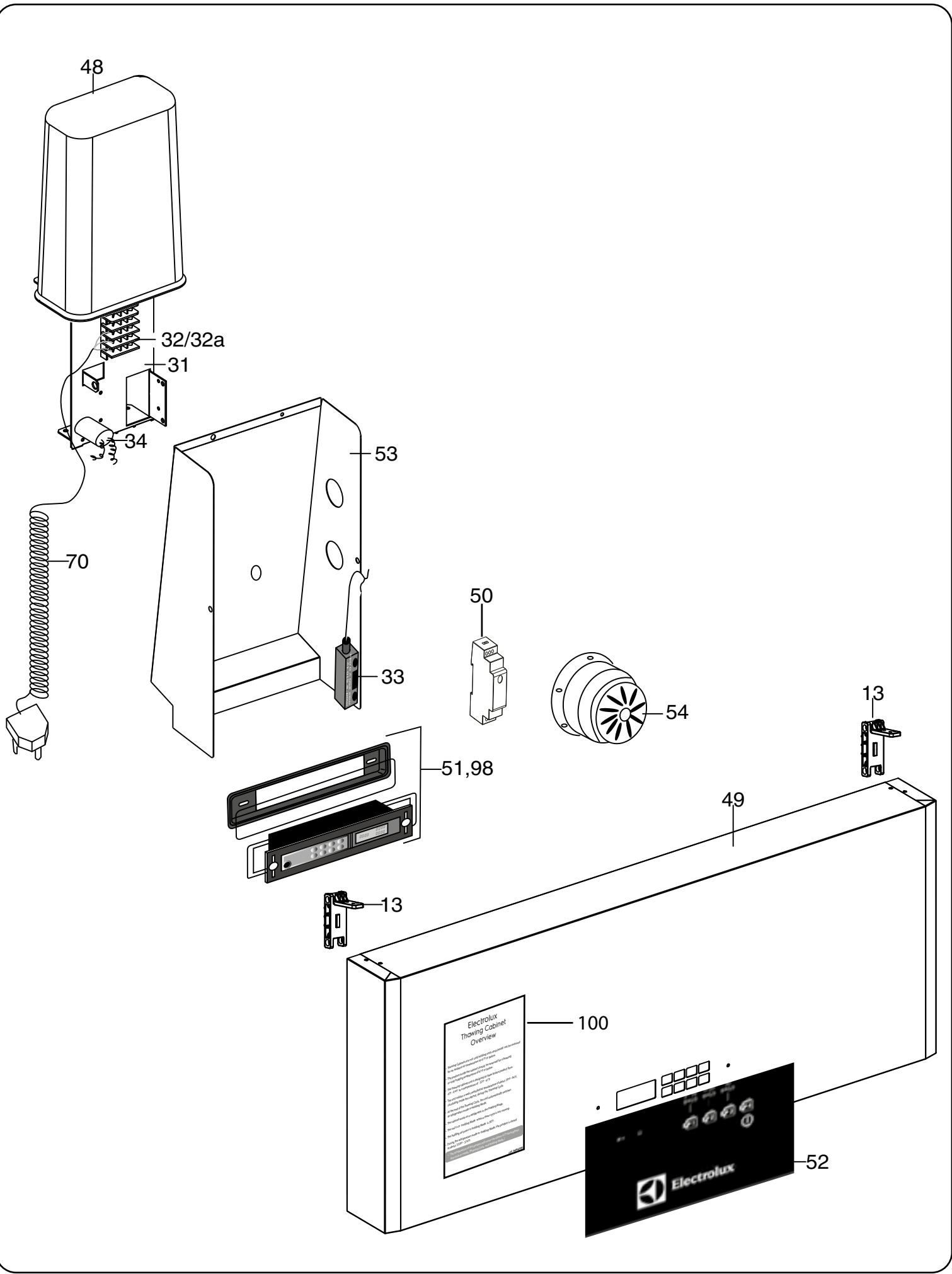
Page: 2

Ed. 01 06/2021

Updated 08/2022

Doc. Nr.: 595R65700





\* Componenti a richiesta  
\*Components on demand

Grassetto= variato comp.  
Bolt print = Change

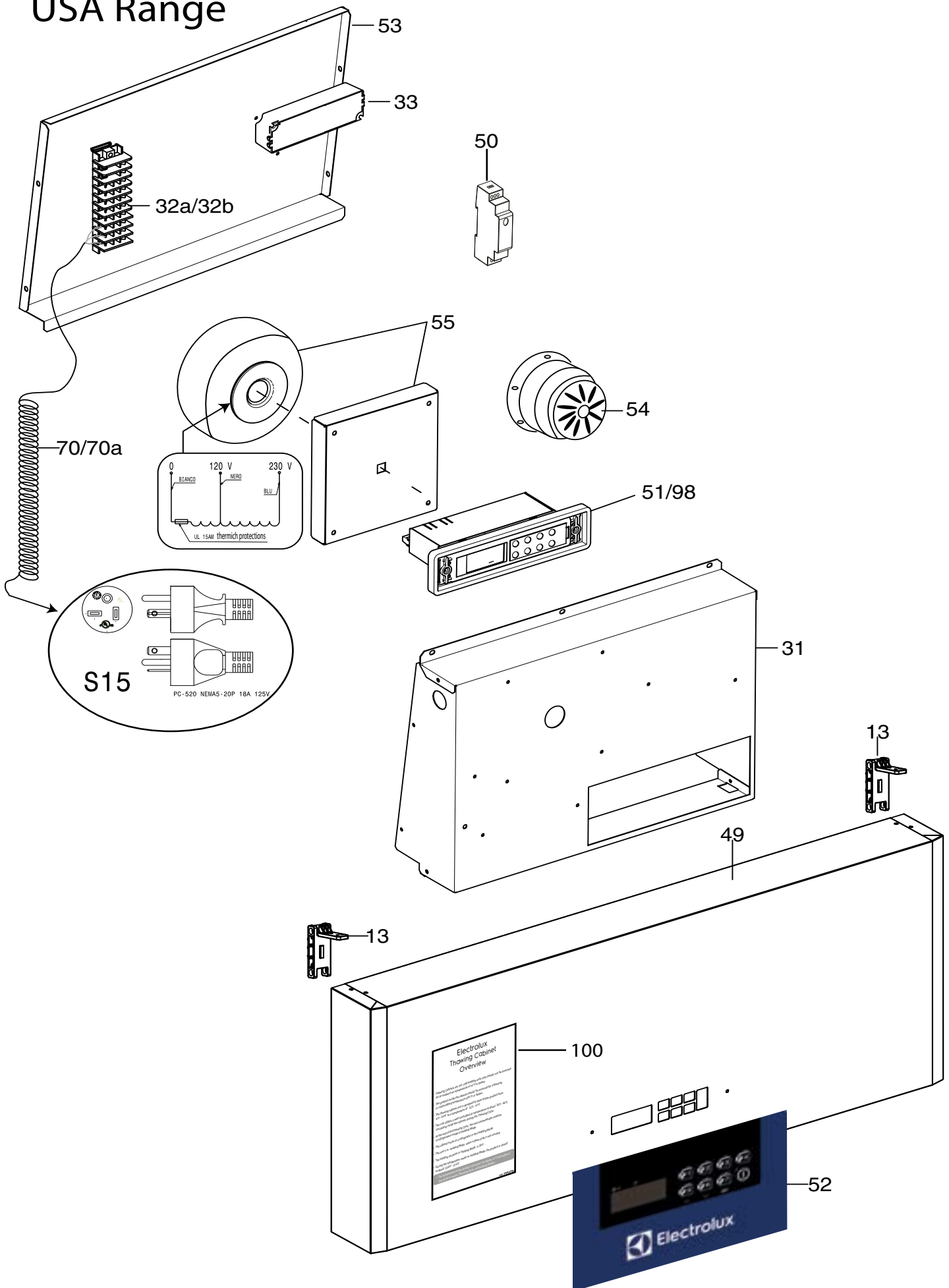
Page: 4

Ed. 01 06/2021

Updated 08/2022

Doc. Nr.: 595R65700

# USA Range



\* Componenti a richiesta  
\*Components on demand

Grassetto= variato comp.  
Bolt print = Change

Page: 5

Ed. 01 06/2021

Updated 08/2022

Doc. Nr.: 595R65700

Pos	Spare parts code	Factory code	Descrizione	Description	V	W & T	References
1	093254	832R09001	Cornice orizzontale	Horizontal frame	X		a,b,c,d,e,f,g,h,j,k,m,n,o,p
2	093255	832R09101	Cornice verticale	Vertical frame	X		a,b,c,d,e,f,g,h,j,k,m,n,o,p
3	093361	617R07101	Cavo riscaldante	Hot frame cable			a,b,c,d,e,f,g,h,j,n,o,p
<b>3</b>	<b>097471</b>	<b>617R04F00</b>	<b>Cavo riscaldante</b>	<b>Hot frame cable</b>			<b>k,m</b>
4	087110	835739900	Ruota DERBY con freno	Wheel DERBY with brake	X	X	a,b,c,d,e,f,g,h,j,k,m,n
5	087111	835740000	Ruota DERBY senza freno	Wheel without brake	X	X	a,b,c,d,e,f,g,h,j,k,m,n
<b>5a</b>	<b>093243</b>	<b>541R05001</b>	<b>Piedino</b>	<b>Foot</b>	<b>X</b>	<b>X</b>	<b>o,p</b>
<b>5b</b>	<b>0TTR11</b>	<b>518R04501</b>	<b>Piedino marine</b>	<b>Marine foot</b>	<b>X</b>	<b>X</b>	<b>o,p</b>
*	093825	546R28900	Piastra stampata per ruote h70	Plate for wheels h70			a
6	093245	217555204	Vite per ruota	Wheel screw		X	a,b,c,d,e,f,g,h,j,k,m,n,o,p
7	093246	518708601	Vite m8 x 20 superiore	Upper screw 8 x20		X	a,b,c,d,e,f,g,h,j,k,m,n,o,p
8	094426	518708700	Vite m8 x 25 inferiore	Lower Screw 8 x25		X	a,b,c,d,e,f,g,h,j,k,m,n,o,p
9	095202	546R34400	Staffa per calotta (dx e sx)	Support for evaporator cover (dx and sx)			a,b,c,d,e,f,g,h,j,k,m,n,o,p
10	093248	546R27100	Distanziale estetico inferiore	Lower spacer		X	a,b,c,d,e,f,g,h,j,k,m,n,o,p
11	095220	518R08300	Piedino regolabile h84-125	Adjustable feet h84-125	X	X	
12	093609	832R10100	Cerniera superiore dx	Upper hinge "right"	X	X	a,b,c,d,e,f,g,h,j,k,m,n,o,p
13	093610	832R10200	Cerniera superiore sx	Upper hinge "left"	X	X	a,b,c,d,e,f,g,h,j,k,m,n,o,p
14	093426	684R05900	Compressore EMT6152U R290	Compressor EMT6152U R290	X		a,b,c,d,e,f,g,h,j,o
<b>14</b>	<b>097468</b>	<b>684R02F00</b>	<b>Compressore NEK 6165U R290 115V 60HZ</b>	<b>Compressor NEK 6165U R290 115V 60HZ</b>	<b>X</b>		<b>k,m</b>
<b>14</b>	<b>097494</b>	<b>684R15800</b>	<b>Compressore EMBRACO EMX6152U 220-240 V 50-60 HZ</b>	<b>Compressor EMBRACO EMX6152U 220-240 V 50-60 HZ</b>	<b>X</b>		<b>n,p</b>
15	093431	830R06601	Condensatore A FILI	Wiring condenser	X		a,b,c,d,e,f,g,h,j,n,o,p
<b>15</b>	<b>093333</b>	<b>830R04900</b>	<b>Condensatore ALETTATO</b>	<b>Gas Condenser</b>	<b>X</b>		<b>k,m</b>
16	093602	546R24200	Convogliatore condensatore	Condenser cover			a,b,c,d,e,f,g,h,j,o
<b>16</b>	<b>093518</b>	<b>501R36701</b>	<b>Convogliatore condensatore</b>	<b>Condenser cover</b>			<b>n,p 60 HZ</b>
17	096995	682R14200	Assieme ventilatore	Condenser fan	X	X	a,b,c,d,e,f,g,h,j,n,o,p
<b>17</b>	<b>097469</b>	<b>682R14800</b>	<b>Assieme ventilatore USA R290</b>	<b>Condenser fan USA R290</b>	<b>X</b>	<b>X</b>	<b>k,m</b>
<b>17a</b>	<b>097055</b>	<b>635R37900</b>	<b>Cablaggio ventilatore</b>	<b>Fan wiring</b>	<b>X</b>		<b>k,m</b>
18	089697	511708800	Ventola aspirante 230 31	Fan 230 31			a,b,c,d,e,f,g,h,j,o
<b>18</b>	<b>093365</b>	<b>511R01000</b>	<b>Ventola aspirante 230 34</b>	<b>Fan 230 34</b>			<b>k,m</b>
<b>18</b>	<b>082230</b>	<b>511700800</b>	<b>Ventola aspirante 230 28</b>	<b>Fan 230 28</b>			<b>n,p</b>
19	089755	546709500	Griglia ventilatore condensatore	Fan protection			a,b,c,d,e,f,g,h,j,o
<b>19</b>	<b>094416</b>	<b>514R20200</b>	<b>Griglia ventilatore condensatore</b>	<b>Fan protection</b>			<b>k,m</b>
<b>19</b>	<b>0A8843</b>	<b>514711501</b>	<b>Griglia ventilatore condensatore</b>	<b>Fan protection</b>			<b>n,p</b>
20	093259	515R12701	Serpentina gas caldo	Hot pipe for evaporation conden.	X		a,b,c,d,e,f,g,h,j,k,m,n,o,p
21	093260	543R09300	Staffa fissaggio serpentina	Stopper hot pipe			a,b,c,d,e,f,g,h,j,k,m,n,o,p
22	096488	858R06900	Ass. scambiatore per compressore EMT6152U	Heat exchanger for compressor EMT6152U	X		a,b,c,d,e,f,g,h,j,n,o,p
<b>22</b>	<b>097477</b>	<b>858R18700</b>	<b>Ass. scambiatore per compressore R290</b>	<b>Heat exchanger for compressor R290</b>	<b>X</b>		<b>k,m</b>



Pos	Spare parts code	Factory code	Descrizione	Description	V	W & T	References
23	099949	858R00100	Filtro gr 15	Filter gr 15	X	X	a,b,c,d,e,f,g,h,j,n,o,p
<b>23</b>	<b>084078</b>	<b>805729802</b>	<b>Filtro gr 40</b>	<b>Filter gr 40</b>	X	X	<b>k,m</b>
<b>23a</b>	<b>099869</b>	<b>646765300</b>	<b>Safety blow fuse HP pressure</b>	<b>Tappo fusibile. FPA-283 UL 1/8'</b>	<b>X</b>		<b>k,m</b>
24	0A8171	A02021800	Valvola per compressore	Compressor valve "charge/disc./	X	X	a,b,c,d,e,f,g,h,j,k,m,n,o,p
25	094576	830R10600	Evaporatore	Evaporator	X		a,b,c,d,e,f,g,h,j,n,o,p
<b>25</b>	<b>094408</b>	<b>830R10000</b>	<b>Evaporatore</b>	<b>Evaporator</b>	<b>X</b>		<b>k,m</b>
26	093469	546R19201	Vaschetta evaporatore	Evaporator basin		X	a,b,c,d,e,f,g,h,j,k,m,n,o,p
27	093427	617R06002	Resistenza evaporatore con term.	Evaporator heating el.+thermost.		X	a,b,c,d,e,f,g,h,j,n,o,p
28	093487	514R11601	Molla per termostati	Thermostat spring		X	a,b,c,d,e,f,g,h,j,n,o,p
29	093508	514R11100	Molla per fissaggio resist. evapor.	Evap. spring for heating element		X	a,b,c,d,e,f,g,h,j,n,o,p
30	092175	646R06700	Sonda cella	Cell probe	X	X	a,b,c,d,e,f,g,h,j,k,m,n,o,p
31	0TTMOI	503R14600	Supporto impianto elettrico	Electrical support			a,b,c,d,e,f,g,h,j,n,o,p
<b>31</b>	<b>097479</b>	<b>504R35601</b>	<b>Supporto impianto elettrico</b>	<b>Electrical support</b>			<b>k,m</b>
32	093599	639R10000	Morsettiera	Clamp		X	a,b,c,d,e,f,g,h,j,n,o,p
32a	095786	856R21501	Cablaggio scatola elettrica	Electric box wiring			a,b,c,d,e,f,g,h,j,n,o,p
<b>32b</b>	<b>097591</b>	<b>855R08R01</b>	<b>Cablaggio scatola elettrica e morsettiera</b>	<b>Electric box wiring and clamp</b>			<b>k,m</b>
33	097073	640R00400	Micro magnetico per porta	Door micro switch	X	X	a,b,c,d,e,f,g,h,j,k,m,n,o,p
34	059078	694502400	Filtro antidisturbo	RFI filter			a,b,c,d,e,f,g,h,j,n,o,p
35	095201	835R47601	Assieme calotta schiumata	Evaporator foamed cover assy	X	X	a,b,c,d,e,f,g,h,j,k,m,n,o,p
36	093245	217555204	Vite senza punta per calotta	Screw for evaporator cover		X	a,b,c,d,e,f,g,h,j,k,m,n,o,p
37	093262	1470R003	Neoprene espanso per calotta	Gasket for evaporator cover		X	a,b,c,d,e,f,g,h,j,k,m,n,o,p
38	093263	546R19702	Tamponcino cavi evaporatore	Seal wiring cable evaporator		X	a,b,c,d,e,f,g,h,j,k,m,n,o,p
39	097077	504R25500	Supporto ventilatore evaporatore	Evaporator fan support			a,b,c,d,e,f,g,h,j,k,m,n,o,p
40	094412	501R94200	Fissaggio sup. ventilatore evap.	Upper fixing support for fan evap.			a,b,c,d,e,f,g,h,j,k,m,n,o,p
<b>41</b>	<b>097470</b>	<b>855R08T00</b>	<b>Ventilatore centrifugo</b>	<b>Centrifugal fan</b>	<b>X</b>	<b>X</b>	<b>a,b,c,d,e,f,g,h,j,k,m,n,o,p</b>
42	097071	617R28300	Resistenza 750W 230V	Heating element 750W 230V	X	X	a,b,c,d,e,f,g,h,j,n,o,p
<b>42</b>	<b>097472</b>	<b>617R28501</b>	<b>Resistenza 650W 120V</b>	<b>Heating element 650W 120V</b>	<b>X</b>	<b>X</b>	<b>k,m</b>
43	094413	501R94300	Convogliatore aria	Air conveyor			a,b,c,d,e,f,g,h,j,k,m,n,o,p
44	094822	501R94100	Copertura frontale aria	Air front cover			a,b,c,d,e,f,g,h,j,k,m,n,o,p
45	094011	514R15801	Griglia di protezione posteriore	Back protection grid			a,b,c,d,e,f,g,h,j,k,m,n,o,p
46a	097078	504R25600	Fissaggio sinistro resistenze	Left heating element supprt			a,b,c,d,e,f,g,h,j,n,o,p
<b>46a</b>	<b>097480</b>	<b>504R37200</b>	<b>Fissaggio sinistro resistenze</b>	<b>Left heating element supprt</b>			<b>k,m</b>
46b	097079	504R25700	Fissaggio destro resistenze	Right heating element supprt			a,b,c,d,e,f,g,h,j,k,m,n,o,p
47	097072	805R00S00	Ass.Termostato ELTH +40 +30	Safety thermostat +40 +30	X		a,b,c,d,e,f,g,h,j,n,o,p
<b>47</b>	<b>097475</b>	<b>805R01C00</b>	<b>Ass.Termostato ELTH +40 +30</b>	<b>Safety thermostat +40 +30</b>	<b>X</b>		<b>k,m</b>
48	094425	546R26501	Coperchio impianto elettrico	Electrical cover		X	a,b,c,d,e,f,g,h,j,n,o,p

Pos	Spare parts code	Factory code	Descrizione	Description	V	W & T	References
48	093976	546R26701	Scatola impianto elettrico	Electrical box		X	a,b,c,d,e,f,g,h,j,n,o,p
49	094012	833R26101	Cruscotto senza componenti	Control panel without components			a,b,c,d,e,f,g,h,j,n
<b>49</b>	<b>097478</b>	<b>833R51602</b>	<b>Cruscotto senza componenti con serratura R290</b>	<b>Control panel without components with lock R290</b>			<b>k,m</b>
<b>49</b>	<b>096562</b>	<b>833R44900</b>	<b>Cruscotto senza componenti con serratura R290</b>	<b>Control panel without components with lock R290</b>			<b>o,p</b>
*	*	877R98702	Cruscotto con componenti	Control panel with components			a,c,d,e,g,h,j,n
*	*	878R05100	Cruscotto con componenti	Control panel with components			b
*	*	878R05200	Cruscotto con componenti	Control panel with components			f
*	*	878R08902	Cruscotto con componenti con serratura	Control panel with compon. with lock			k,m
*	*	<b>878R01300</b>	<b>Cruscotto con componenti con serratura</b>	<b>Control panel with compon. with lock</b>			<b>o,p</b>
50	097166	648R02F00	Alimentatore 24V 15.2W	Power supply 24V 15.2W			
<b>50</b>	<b>097476</b>	<b>624R00D00</b>	<b>Alimentatore 24V 20.2W UL</b>	<b>Power supply 24V 20.2W UL</b>			<b>k,m</b>
51	094013	646R12400	Termoregolatore 230V	Controller 230V	X		a,b,c,d,e,f,g,h,j,n,o,p
<b>51</b>	<b>097473</b>	<b>646R06U00</b>	<b>Termoregolatore 120V</b>	<b>Controller 120V</b>	<b>X</b>		<b>k,m</b>
52	094245	755R08802	Membrana adesiva di controllo	Sticker control		X	a,c,d,e,g,h,j,n,o,p
52	094014	755R07802	Membrana adesiva di controllo	Sticker control		X	b
52	094251	755R08102	Membrana adesiva di controllo	Sticker control		X	f
<b>52</b>	<b>095305</b>	<b>755R10201</b>	<b>Membrana adesiva di controllo 7 progr.</b>	<b>Sticker control 7 programmes</b>		<b>X</b>	<b>k,m</b>
53	094485	501R94502	Protezione controllore	Controller protection			a,b,c,d,e,f,g,h,j,n,o,p
<b>53</b>	<b>097474</b>	<b>504R35401</b>	<b>Protezione controllore</b>	<b>Controller protection</b>			<b>k,m</b>
54	097080	655R00A00	Avvisatore acustico	Buzzer			a,b,c,d,e,f,g,h,j,k,m,n,o,p
<b>55</b>	<b>097516</b>	<b>624R00H01</b>	<b>Trasformatore 120/230V 400VA 50/60HZ</b>	<b>Transformer PMA 120/230V 400VA 50/60HZ</b>	<b>X</b>	<b>X</b>	<b>k,m</b>
57	094247	833R25903	Cremagliera dx e sx 10 posizioni	Right and left rack sup. 10 posit.	X	X	a,c,e,g,h,j,n
57	094207	833R25803	Cremagliera dx e sx 15 posizioni	Right and left rack sup. 15 posit.	X	X	b,d,f
<b>57a</b>	<b>094541</b>	<b>833R29903</b>	<b>Cremagliera dx e sx 15 posizioni usa</b>	<b>Right and left rack sup. 15 posit. usa</b>	<b>X</b>	<b>X</b>	<b>k</b>
<b>57a</b>	<b>094476</b>	<b>833R30302</b>	<b>Cremagliera dx e sx 10 posizioni usa</b>	<b>Right and left rack sup. 10 posit.usa</b>	<b>X</b>	<b>X</b>	<b>m,o,p</b>
58	081883	514702003	Griglia 650X530	Shelve		X	a,b,c,d,e,f,g,h,j,k,m,n,o,p
59	090214	546710300	Supporto cremagliera H12	Rack support		X	a,b,c,d,e,f,g,h,j,k,m,n,o,p
60	083839	546704200	Tappo per supporto cremagliera	Plig rack support		X	a,b,c,d,e,f,g,h,j,k,m,n,o,p
61	095425	502R91600	Vassoio divisorio	Tray		X	b,c,d,e,f,g,j,n
61	095304	<b>503R19400</b>	Vassoio divisorio THAWING ZAXBY'S s/a foro	Tray THAWING ZAXBY'S whitout hole		X	a,h,k,m,o,p
62	094419	835R36304	Porta assemblata	Door assembly			b,c,d,e,f,g,h,j,n
62	095748	882R51900	Porta assemblata ribassata usa	Lowered door assembly usa			a
<b>62</b>	<b>097482</b>	<b>883R67700</b>	<b>Porta assemblata con serratura e deflettore</b>	<b>Door assembly with lock and deflector</b>			<b>k,m</b>
<b>62</b>	<b>097496</b>	<b>835R76302</b>	<b>Porta assemblata ribassata con serratura</b>	<b>Lowered door assembly with lock</b>			<b>o,p</b>
63	094421	835R36003	Porta	Door			b,c,d,e,f,g,h,j,n
63	097081	835R69302	Porta	Door			a
<b>63</b>	<b>097495</b>	<b>835R76202</b>	<b>Porta</b>	<b>Door</b>			<b>o,p</b>



Pos	Spare parts code	Factory code	Descrizione	Description	V	W & T	References
<b>63</b>	<b>097481</b>	<b>835R80300</b>	<b>Porta</b>	<b>Door</b>			<b>k,m</b>
64	081654	544700601	Boccola per porta	Busch for door		X	a,b,c,d,e,f,g,h,j,k,m,n,o,p
65	094152	548R08000	Guarnizione porta	Door gasket		X	a,b,c,d,e,f,g,h,j,n,o,p
<b>65</b>	<b>094422</b>	<b>548R10300</b>	<b>Guarnizione porta USA</b>	<b>Door gasket usa</b>		<b>X</b>	<b>k,m</b>
66	082219	835704001	Cerniera (inserto corto)	Hinge door	X	X	a,b,c,d,e,f,g,h,j,k,m,n,o,p
67	093341	833R21600	Staffa inferiore	Lower bracket door		X	a,b,c,d,e,f,g,h,j,k,m,n,o,p
68	082257	505723802	Staffa superiore	Upper bracket door		X	a,b,c,d,e,f,g,h,j,k,m,n,o,p
69	093271	541R05300	Tappo fori porta	Plug door		X	a,b,c,d,e,f,g,h,j,k,m,n,o,p
70	094423	A02060702	Cavo alimentazione spina SCHUKO	Power cable with SCHUKO plug	X	X	d,f,g,j,o
70	094823	634R02900	Cavo alimentazione spina UK	Power cable with UK plug	X	X	b,h - with 13A fuse
70	097082	634702901	Cavo alimentazione spina GE-WISS	Power cable with GEWISS plug	X	X	a,c,e
<b>70a</b>	<b>097524</b>	<b>634R03N01</b>	<b>Cavo alimentazione spina S15 18Amp 125V</b>	<b>Power cable with plug S15 18Amp 125V</b>	<b>X</b>	<b>X</b>	<b>k,m</b>
<b>70</b>	<b>097503</b>	<b>634R00900</b>	<b>Cavo alimentazione senza spina</b>	<b>Power cable without plug</b>	<b>X</b>	<b>X</b>	<b>n,p</b>
71	081797	544701400	Controdado	Nut		X	a,c,d,e,g,h,j,k,m,n,o,p
72	085535	545733700	Tappo	Plug		X	a,c,d,e,g,h,j,k,m,n,o,p
73	093714	546R26000	Piletta	Pipe		X	a,c,d,e,g,h,j,k,m,n,o,p
77	095021	502R91700	Filtro aspirazione thawing	Protection			a,b,c,d,e,f,g,h,j,k,m,n,o,p
<b>79</b>	<b>094542</b>	<b>514R20001</b>	<b>Griglia protezione gruppo</b>	<b>Cooling Protection</b>		X	<b>k,m</b>
<b>86</b>	<b>093433</b>	<b>833R21100</b>	<b>Serratura</b>	<b>Lock</b>		<b>X</b>	<b>k,m,o,p</b>
<b>87</b>	<b>097515</b>	<b>504R35100</b>	<b>Maniglia</b>	<b>Handle</b>			<b>k,m (accessory)</b>
94	094959	833R35801	Convogliatore 15 teglie per schienale	Back air 15 positions conveyor		X	d,k
94	094585	833R31200	Convogliatore 15 teglie per schienale	Back air 15 positions conveyor		X	b
94	095306	833R35501	Convogliatore 10 teglie per schienale	Back air 10 positions conveyor		X	a,h,m,o,p
<b>96</b>	<b>096664</b>	<b>503R50501</b>	<b>Deflettore porta</b>	<b>Door deflector</b>		X	<b>k,m</b>
98	094016	639R03300	Connett. Phoenix 6 vie P 5.0	Connector 6 ways		X	j,k,m
<b>100</b>	<b>096667</b>	<b>595R42100</b>	<b>Adesivo informativo</b>	<b>Sticker Thawing overview</b>		X	<b>k,m</b>